

**MODEL 758 BACKGROUND MUSIC SYSTEM****INSTALLATION AND OPERATION INSTRUCTIONS**

Model 758 Background Music Tuner-Amplifier consists of a sensitive High Fidelity AM-FM Tuner, complete with AFC, and a 7 watt audio amplifier. The unit has an external amplifier jack, a crystal phono jack and a Multiplex Converter jack. It also has speaker outputs for 8 ohms as well as 25 and 70 volt line.

**UNPACKING:**

The unit is to be removed carefully from the carton and inspected for any possible damage in transit. If there is evidence of any damage which might have occurred in shipment, notify your dealer at once, or the transportation company which delivered it. Claims for damage sustained in transit must be made upon the Carrier. Save all packing material for inspection by the claim agent who will furnish you with the proper forms and will also give you the necessary instructions for filing a claim. In addition to the Unit, there should be a warranty card included in the carton. To insure proper servicing and to protect your rights under the warranty, be sure to fill in the warranty registration card without delay and mail to the factory.

**WARRANTY**

This unit has been very carefully inspected and tested at the factory and normally should require no service other than a semi-annual check of the tubes. Each unit is warranted to be free from defects in material and workmanship under normal use and service for a period of 90 days from date of delivery to the original purchaser. If this unit appears to be defective, the factory will repair any unit returned within said 90 days, providing all transportation charges are pre-paid, and which our examination shall disclose to our satisfaction to be defective.

This Warranty does not include free labor, nor is it applicable to any unit which shall have been subject to accident, tampered with, mis-used, abused, or altered in any manner whatsoever. Further, this Warranty shall not apply to any unit which has been connected improperly.

It is recommended that any unit on which service is required, be processed through your dealer wherever possible.

This Warranty is expressly in lieu of all other Warranties, expressed or implied, and of all other obligations or liabilities on our part. We neither assume nor authorize any other person to assume for us any other liability in connection with the products manufactured by Trutone Electronics, Inc.

**INSTALLATION:**

Because of its attractive appearance, Model 758 Background Music System may be placed on a table or a book shelf. Although the unit has ample vents for normal ventilation, sufficient space should be allowed around it to permit free air flow.

Do not put books or other objects on top of the unit as this would reduce the ventilation and result in shortening the life of the components and tubes.

If installed in an enclosure, the cover is to be removed, and ample ventilation must be allowed around the unit.

Plug the AC line cord in any outlet furnishing 105 to 120 volt, 60 cycle AC.

**CONNECTIONS:**

The screw terminals for speaker connection are located on the right at the rear of the chassis. Any ordinary insulated wire, such as parallel lamp cord, is suitable for hooking up the unit to the voice coil terminal of a speaker. A number of speakers can be used by connecting them in parallel, or series parallel, to form an impedance of 8 ohms; they may also be connected to the 25 or 70 volt line when using a 25 or 70 volt line transformer at each speaker.

For normal FM reception, a short wire attached to the antenna terminal is sufficient for most locations. In the event that the unit is located in a remote area, an external Dipole antenna will increase the efficiency and a number of distant stations can then be received. This external antenna is to be connected to the FM ANT. Terminals at the rear of the chassis on the left.

For AM reception, Model 758 has a built-in Hi Q Ferrite loopstick antenna which is all that is normally required for most AM reception.

To increase the reception of weak AM stations in the fringe area, it may be advisable to rotate the Antenna rod located on the back of the Tuner to obtain the loudest signal.

**DO NOT TURN ON THE UNIT UNTIL THE SPEAKERS HAVE BEEN CONNECTED TO THE TERMINAL STRIPS AS POSSIBLE DAMAGE TO THE EQUIPMENT MAY OCCUR.**

The External Amplifier (EXT. AMP.) jack is clearly marked and is to be used when it is desired to by-pass the internal amplifier and connect to an external amplifier for greater power. It can also be used to feed the signal from the Tuner to a tape recorder which has a built-in pre-amplifier. Both the external and internal amplifiers will operate simultaneously when the external unit is plugged in the EXT. AMP. jack.

The Multiplex jack can be used for connecting to a Multiplex Converter to receive simultaneous signals on both FM and Multiplex broadcast, and for Multiplex Stereo Reception.

The crystal phono input jack enables the amplifier in the unit to be used for playing of records, using a crystal or ceramic cartridge.

#### **OPERATION:**

The front panel has three knobs and four slide switches. The functions of the knobs are as indicated. The Volume Control knob is used to adjust the level of the sound of the FM portion or phono. The Tone Control Knob can be turned to the position that is most pleasing to the listener as it affects both the high and low frequency response. The Tuning knob is to select the desired FM or AM station. The Function Control switch is used to select radio or phono. The slide switch marked POWER is to turn the unit on or off. The slide switch marked AFC is used for AFC defeat. The slide switch marked MODE is used to select AM or FM programs.

AFC refers to "Automatic Frequency Control" and is an electronic means of keeping the receiver properly tuned to the FM Broadcasting station. Even if the FM Tuner Pointer is not in the exact center of the channel, the AFC will automatically pull in the station to the proper point. However, in tuning a weak station adjacent to a strong one, even if the AFC is in an operating position, it may lock on the stronger signal. It is for this reason that a selector switch has been provided for disabling the AFC.

For normal operation, the AFC selector switch should be left in the "on" position. For very precise tuning, or for tuning a weak station next to a powerful station on FM, it is suggested that the AFC selector switch be set to the "off" position until the station is received the loudest. The switch is then to be moved to the "on" position and the station will be properly tuned and locked in position.

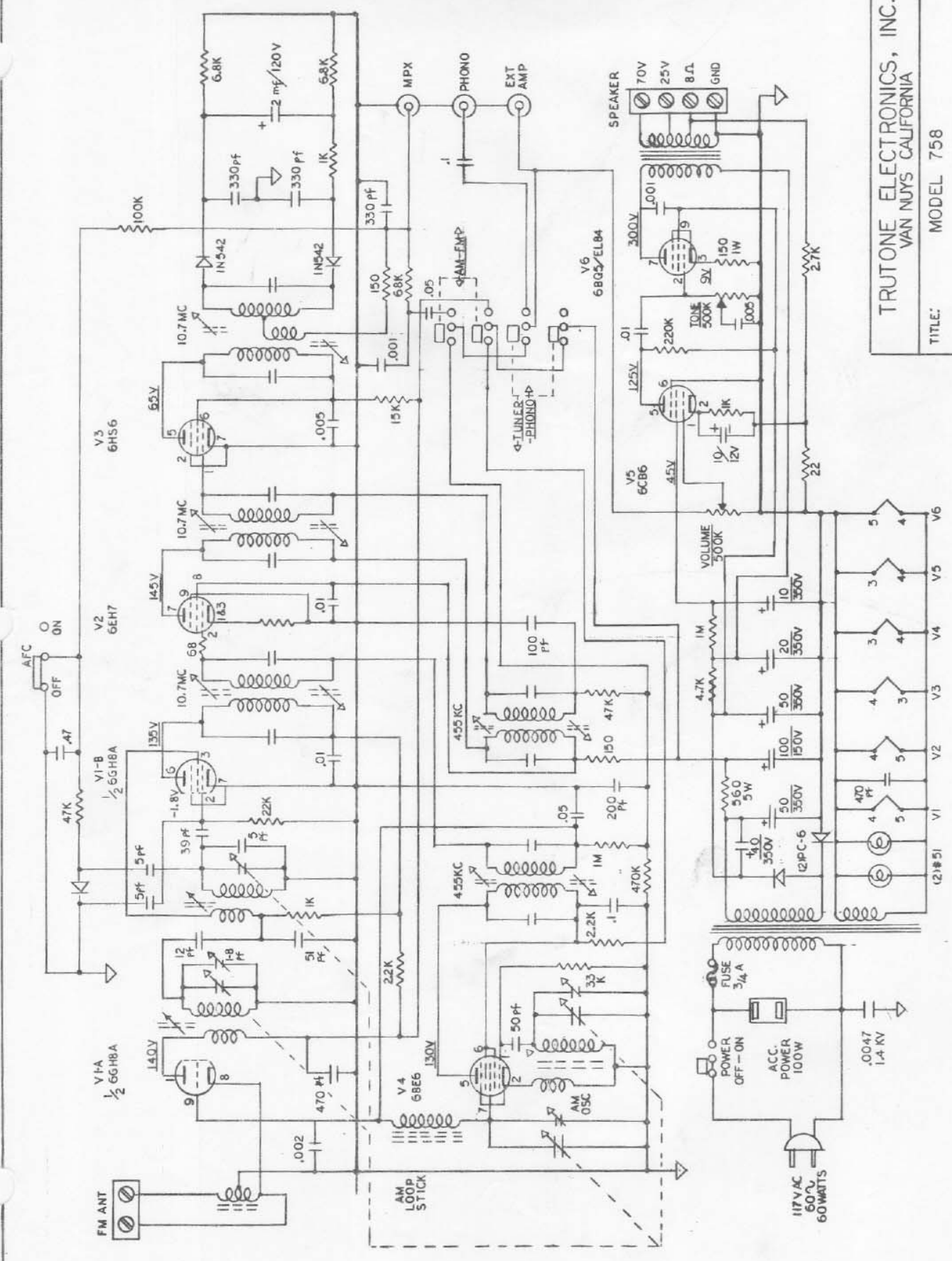
The center marking on the dial glass is a LOG scale for easy recording of the position of the pointer for any specific station.

#### **CAUTION:**

This unit is provided with a 3/4 ampere SLO-BLO fuse for the protection of the components used in the circuitry. If the fuse should blow, replace it with one of identical amperage and under no circumstances with one of greater amperage. If the replacement fuse should blow, refer the unit to a qualified serviceman for repair.

**TRUTONE ELECTRONICS, INC.**

14660 Raymer St. • Van Nuys, Calif.



TRUTONE ELECTRONICS, INC.  
VAN NUYS CALIFORNIA

TITLE: MODEL 758  
AM-FM RECEIVER

ENGINEER: C. Kogger DATE: 2/15/68